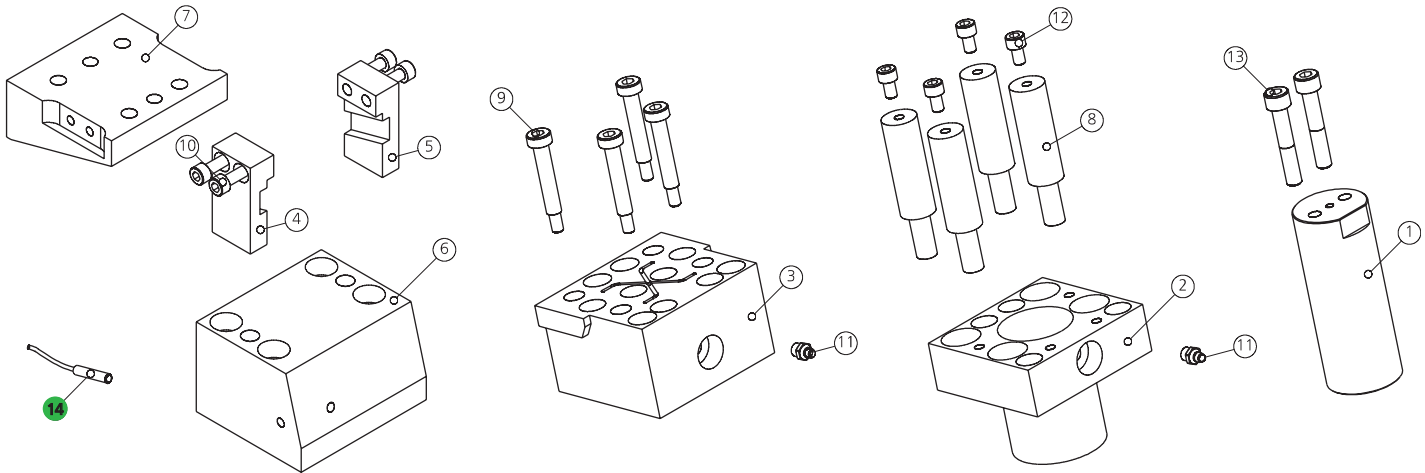


0151.0604 - CAM SUPER-SMEG0604

FORZA INIZIALE DI ESTRAZIONE / INITIAL EXTRACTION FORCE **680 daN**
 RÜCKZUGSKRAFT / FORCE INITIALE D'EXTRACTION
 FORZA FINALE DI ESTRAZIONE / FINAL FORCE OF EXTRACTION **1030 daN**
 ENDKRAFT DER EXTRACTION / FORCE FINALE D'EXTRACTION

SFORZO MAX TRANCIO **6000 daN**
 CUTTING MAX FORCE
 MAXIMALE SCHNITTKRAFT
 EFFORT MAXI DÉCOUPE



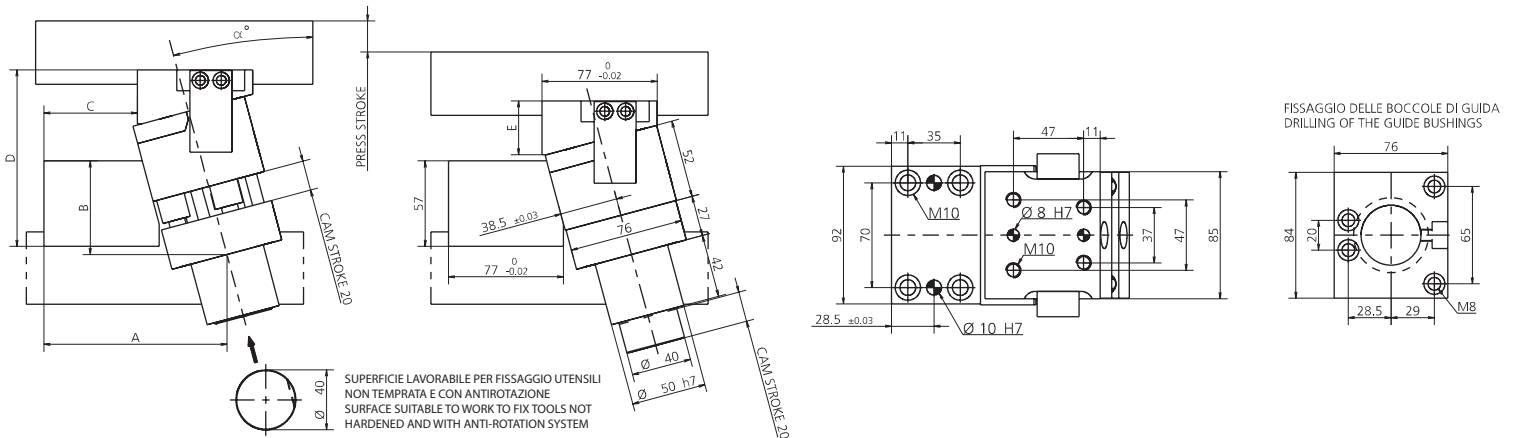
POS.	CODE	DESCRIPTION	Q.TY
001	8018.1000.0000.400.001	PERNO CENTRALE / CENTRAL PIN / HAUPTSTIFT	1
002	8013.0690.0500.400.001	BOCCOLA DI GUIDA / GUIDE BUSHINGS / FÜHRUNGSBUCHSE	1
003	8014.0051.0604	PORTA PUNZONE / PUNCHES HOLDER / TRÄGERPLATTE	1
004	8115.4851.0504.05.001	STAFFA DI AGGANCIAMENTO / BRACKET ATTACHMENTS / BRACKETBEFESTIGUNG 5°	1*CHOOSE
004	8115.4851.0504.10.001	STAFFA DI AGGANCIAMENTO / BRACKET ATTACHMENTS / BRACKETBEFESTIGUNG 10°	1*CHOOSE
004	8115.4851.0504.15.001	STAFFA DI AGGANCIAMENTO / BRACKET ATTACHMENTS / BRACKETBEFESTIGUNG 15°	1*CHOOSE
004	8115.4851.0504.20.001	STAFFA DI AGGANCIAMENTO / BRACKET ATTACHMENTS / BRACKETBEFESTIGUNG 20°	1*CHOOSE
004	8115.4851.0504.25.001	STAFFA DI AGGANCIAMENTO / BRACKET ATTACHMENTS / BRACKETBEFESTIGUNG 25°	1*CHOOSE
004	8115.4851.0504.30.001	STAFFA DI AGGANCIAMENTO / BRACKET ATTACHMENTS / BRACKETBEFESTIGUNG 30°	1*CHOOSE
004	8115.4851.0504.35.001	STAFFA DI AGGANCIAMENTO / BRACKET ATTACHMENTS / BRACKETBEFESTIGUNG 35°	1*CHOOSE
004	8115.4851.0504.40.001	STAFFA DI AGGANCIAMENTO / BRACKET ATTACHMENTS / BRACKETBEFESTIGUNG 40°	1*CHOOSE
004	8115.4851.0504.45.001	STAFFA DI AGGANCIAMENTO / BRACKET ATTACHMENTS / BRACKETBEFESTIGUNG 45°	1*CHOOSE
004	8115.4851.0504.50.001	STAFFA DI AGGANCIAMENTO / BRACKET ATTACHMENTS / BRACKETBEFESTIGUNG 50°	1*CHOOSE
005	8115.4851.0504.05.002	STAFFA DI AGGANCIAMENTO / BRACKET ATTACHMENTS / BRACKETBEFESTIGUNG 5°	1*CHOOSE
005	8115.4851.0504.10.002	STAFFA DI AGGANCIAMENTO / BRACKET ATTACHMENTS / BRACKETBEFESTIGUNG 10°	1*CHOOSE
005	8115.4851.0504.15.002	STAFFA DI AGGANCIAMENTO / BRACKET ATTACHMENTS / BRACKETBEFESTIGUNG 15°	1*CHOOSE
005	8115.4851.0504.20.002	STAFFA DI AGGANCIAMENTO / BRACKET ATTACHMENTS / BRACKETBEFESTIGUNG 20°	1*CHOOSE
005	8115.4851.0504.25.002	STAFFA DI AGGANCIAMENTO / BRACKET ATTACHMENTS / BRACKETBEFESTIGUNG 25°	1*CHOOSE
005	8115.4851.0504.30.002	STAFFA DI AGGANCIAMENTO / BRACKET ATTACHMENTS / BRACKETBEFESTIGUNG 30°	1*CHOOSE
005	8115.4851.0504.35.002	STAFFA DI AGGANCIAMENTO / BRACKET ATTACHMENTS / BRACKETBEFESTIGUNG 35°	1*CHOOSE
005	8115.4851.0504.40.002	STAFFA DI AGGANCIAMENTO / BRACKET ATTACHMENTS / BRACKETBEFESTIGUNG 40°	1*CHOOSE

POS.	CODE	DESCRIPTION	Q.TY
005	8115.4851.0504.45.002	STAFFA DI AGGANCIAMENTO / BRACKET ATTACHMENTS / BRACKETBEFESTIGUNG 45°	1*CHOOSE
005	8115.4851.0504.50.002	STAFFA DI AGGANCIAMENTO / BRACKET ATTACHMENTS / BRACKETBEFESTIGUNG 50°	1*CHOOSE
006	8117.4851.0504.05.001	GUIDA / GUIDE / FÜHRUNG 5°	1*CHOOSE
006	8117.4851.0504.10.001	GUIDA / GUIDE / FÜHRUNG 10°	1*CHOOSE
006	8117.4851.0504.15.001	GUIDA / GUIDE / FÜHRUNG 15°	1*CHOOSE
006	8117.4851.0504.20.001	GUIDA / GUIDE / FÜHRUNG 20°	1*CHOOSE
006	8117.4851.0504.25.001	GUIDA / GUIDE / FÜHRUNG 25°	1*CHOOSE
006	8117.4851.0504.30.001	GUIDA / GUIDE / FÜHRUNG 30°	1*CHOOSE
006	8117.4851.0504.35.001	GUIDA / GUIDE / FÜHRUNG 35°	1*CHOOSE
006	8117.4851.0504.40.001	GUIDA / GUIDE / FÜHRUNG 40°	1*CHOOSE
006	8117.4851.0504.45.001	GUIDA / GUIDE / FÜHRUNG 45°	1*CHOOSE
006	8117.4851.0504.50.001	GUIDA / GUIDE / FÜHRUNG 50°	1*CHOOSE
007	8116.4851.0504.05.001	INCUDINE / ANVIL / TREIBER 5°	1*CHOOSE
007	8116.4851.0504.10.001	INCUDINE / ANVIL / TREIBER 10°	1*CHOOSE
007	8116.4851.0504.15.001	INCUDINE / ANVIL / TREIBER 15°	1*CHOOSE
007	8116.4851.0504.20.001	INCUDINE / ANVIL / TREIBER 20°	1*CHOOSE
007	8116.4851.0504.25.001	INCUDINE / ANVIL / TREIBER 25°	1*CHOOSE
007	8116.4851.0504.30.001	INCUDINE / ANVIL / TREIBER 30°	1*CHOOSE
007	8116.4851.0504.35.001	INCUDINE / ANVIL / TREIBER 35°	1*CHOOSE
007	8116.4851.0504.40.001	INCUDINE / ANVIL / TREIBER 40°	1*CHOOSE
007	8116.4851.0504.45.001	INCUDINE / ANVIL / TREIBER 45°	1*CHOOSE
007	8116.4851.0504.50.001	INCUDINE / ANVIL / TREIBER 50°	1*CHOOSE
008	9000.0025.0019.007	CILINDRO AD AZOTO / NITROGEN CYLINDER / STICKSTOFFZYLINDER	4
009	9008.0608.040	VITE A COLLETTO / SHOULDER SCREW / ANSATZSCHRAUBE	4
010	9007.06.020.129.1.4762	VITE / SCREW / SCHRAUBE M6X20	4
011	9006.002	INGRASSATORE / NIPPLES / SCHMIERUNG	2
012	9007.06.010.129.1.4762	VITE / SCREW / SCHRAUBE M6X10	4
013	9007.08.045.129.1.4762	VITE / SCREW / SCHRAUBE M8X45	2
014	9003.0001	SENSORE DI SICUREZZA / SECURITY SENSOR / SENSOR FÜR SICHERHEIT	1*OPTION

0151.0604 - CAM SUPER-SMEG0604

PATENT PENDING

FORZA INIZIALE DI ESTRAZIONE / INITIAL EXTRACTION FORCE **680 daN** SFORZO MAX TRANCIO **6000 daN**
 RÜCKZUGSKRAFT / FORCE INITIALE D'EXTRACTION
 FORZA FINALE DI ESTRAZIONE / FINAL FORCE OF EXTRACTION **1030 daN** CUTTING MAX FORCE
 ENDKRAFT DER EXTRAKTION / FORCE FINALE D'EXTRACTION MAXIMALE SCHNITTKRAFT
 EFFORT MAXI DÉCOUPE



α°	PRESS STROKE	A	B	C	D	E
5°	20.1	118.15	70.5	73.8	109.5	27
10°	20.3	120.4	66.5	68.55	110.75	28
15°	20.7	122.3	62.5	62.5	117.85	36
20°	21.3	123.2	56.5	55.9	125.6	42
25°	22.05	123.85	51.5	49.05	132	49
30°	23.1	126.85	46.8	46	139.1	57
35°	24.4	124.2	37.8	36.9	149.65	66
40°	26.1	122.5	31.8	28.65	157.1	72
45°	28.3	121.45	25.5	24	158.3	68
50°	31.1	115.45	17.5	14	171.25	81

* PER INCLINAZIONI FUORI STANDARD RIVOLGERSI ALL'UFFICIO TECNICONEWSTARK / * FOR NON-STANDARD INCLINATIONS, PLEASE CONTACT NEWSTARK TECHNICAL OFFICE.
 / * FÜR NICHT STANDARDMÄSSIGE NEIGUNGEN WENDEN SIE SICH BITTE AN DAS TECHNISCHE BÜRO VON NEWSTARK

014 (9003) SENSORE / SENSOR / SENSOR



14 PATENT PENDING

MODELLO D'ORDINE / ORDER EXAMPLE / BESTELLBEISPIEL / MODÈLE DE COMMANDE

MODEL **0151.0604** INCLINATION **+10°** OPTION CODE **9003.0001**